

CATALOGO

TERMINALI A SNODO

SERIE POS(L) e PHS(L)



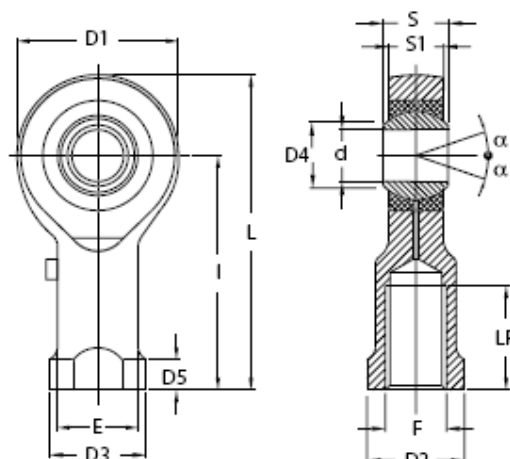
i nostri prodotti a magazzino

TERMINALI A SNODO FEMMINA

PHS – PHSL (TFI - TFIL)



RILUBRIFICABILI – ACCOPPIAMENTO: ACCIAIO SU BRONZO



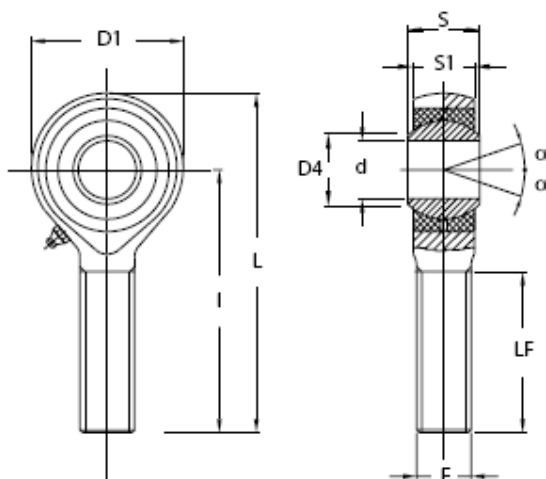
SIGLA	d	TOLLERANZA		S	D4	I	D1	D3	E	D2	D5	S1	L	LF	F	RITTORI DI CARICO LIMITE		GIOCO SNODO RADIALE	ANGOLO DI COLLABINECC.	PESO IN Kg
		d	S													Distanco C	Stallo CO			
mm.																KN	mm.	α°		
PHS(L) 5	5	0 ÷ +0.012	0 ÷ -0.12	8	7.7	27	16	11	9	9	4	6	35	14	M 5X0.8	3.3	4.1	0. - 0.035	13	0.01
PHS(L) 6	6	0 ÷ +0.012	0 ÷ -0.12	9	9	30	18	13	10	11	5	6.7	39	14	M 6X1	4.3	5.3	0. - 0.035	13	0.01
PHS(L) 8	8	0 ÷ +0.015	0 ÷ -0.12	12	10.4	36	22	16	12.5	14	5	9	47	17	M 8X1.25	6.8	9.2	0. - 0.035	14	0.03
PHS(L) 10	10	0 ÷ +0.015	0 ÷ -0.12	14	12.9	43	26	19	15	17	6.5	10.5	56	21	M10X1.5	10	12	0. - 0.035	13	0.08
PHS(L) 12	12	0 ÷ +0.018	0 ÷ -0.12	16	15.4	50	30	22	17.5	19	6.5	12	65	24	M12X1.75	13	17	0. - 0.035	13	0.12
PHS(L) 14	14	0 ÷ +0.018	0 ÷ -0.12	19	16.9	57	34	25	20	22	8	13.5	74	27	M14X2	17	22	0. - 0.035	16	0.14
PHS(L) 16	16	0 ÷ +0.018	0 ÷ -0.12	21	19.4	64	38	27	22	22	8	15	83	33	M16X2	21	28	0. - 0.035	15	0.22
PHS(L) 18	18	0 ÷ +0.018	0 ÷ -0.12	23	21.9	71	42	31	25	27	10	16.5	92	36	M18X1.5	26	34	0. - 0.035	15	0.32
PHS(L) 20	20	0 ÷ +0.021	0 ÷ -0.12	25	24.4	77	48	34	27.5	30	10	18	100	40	M20X1.5	31	40	0. - 0.035	14	0.43
PHS(L) 22	22	0 ÷ +0.021	0 ÷ -0.12	28	25.8	84	50	37	30	32	12	20	109	43	M22X1.5	38	50	0. - 0.035	15	0.61
PHS(L) 25	25	0 ÷ +0.021	0 ÷ -0.12	31	29.6	94	60	42	33.5	36	12	22	124	48	M24X2	47	63	0. - 0.035	15	0.81
PHS(L) 28	28	0 ÷ +0.021	0 ÷ -0.12	35	32.3	103	66	46	37	41	12	25	136	53	M27X2	59	81	0. - 0.035	15	1.20
PHS(L) 30	30	0 ÷ +0.021	0 ÷ -0.12	37	34.8	110	70	50	40	41	15	25	145	56	M30X2	63	86	0. - 0.035	17	1.40

TERMINALI A SNODO MASCHIO

POS – POSL (TFE - TFEL)



RILUBRIFICABILI – ACCOPPIAMENTO: ACCIAIO SU BRONZO



SIGLA	d	TOLLERANZA		S	D4	I	D1	S1	L	LF	F	FATTORI DI CARICO LIMITE		GIOCO SNODO RADIALE	ANGOLO DI COLLAZIONE α	PESO IN Kg
		d	s									Dinamico C	Statico CO			
mm.												KN	mm.	α°		
POS(L) 5	5	0 ÷ +0.012	0 ÷ -0.12	8	7.7	33	16	6	41	20	M 5X0.8	3.3	4.1	0 - 0.035	13	0.01
POS(L) 6	6	0 ÷ +0.012	0 ÷ -0.12	9	9.0	36	18	6.7	45	22	M 6X1	4.3	5.3	0 - 0.035	13	0.02
POS(L) 8	8	0 ÷ +0.015	0 ÷ -0.12	12	10.4	42	22	9	53	25	M 8X1.25	6.8	9.2	0 - 0.035	14	0.03
POS(L) 10	10	0 ÷ +0.015	0 ÷ -0.12	14	12.9	48	26	10.5	61	29	M10X1.5	10	12	0 - 0.035	13	0.05
POS(L) 12	12	0 ÷ +0.015	0 ÷ -0.12	16	15.4	54	30	12	69	33	M12X1.75	13	17	0 - 0.035	13	0.08
POS(L) 14	14	0 ÷ +0.018	0 ÷ -0.12	19	16.9	60	34	13.5	77	36	M14X2	17	22	0 - 0.035	16	0.12
POS(L) 16	16	0 ÷ +0.018	0 ÷ -0.12	21	19.4	66	38	15	85	40	M16X2	21	28	0 - 0.035	15	0.18
POS(L) 18	18	0 ÷ +0.018	0 ÷ -0.12	23	21.9	72	42	16.5	93	44	M18X1.5	26	34	0 - 0.035	15	0.26
POS(L) 20	20	0 ÷ +0.021	0 ÷ -0.12	25	24.4	78	46	18	101	47	M20X1.5	31	40	0 - 0.035	14	0.34
POS(L) 22	22	0 ÷ +0.021	0 ÷ -0.12	28	25.8	84	50	20	109	51	M22X1.5	38	50	0 - 0.035	15	0.43
POS(L) 25	25	0 ÷ +0.021	0 ÷ -0.12	31	29.5	94	60	22	124	57	M24X2	47	63	0 - 0.035	15	0.65
POS(L) 28	28	0 ÷ +0.021	0 ÷ -0.12	35	32.3	103	66	25	136	62	M27X2	59	81	0 - 0.035	15	0.87
POS(L) 30	30	0 ÷ +0.021	0 ÷ -0.12	37	34.8	110	70	25	145	66	M30X2	63	86	0 - 0.035	17	1.00

CATALOGO SNODI SFERICI RADIALI GE..ES – GE..ES 2RS

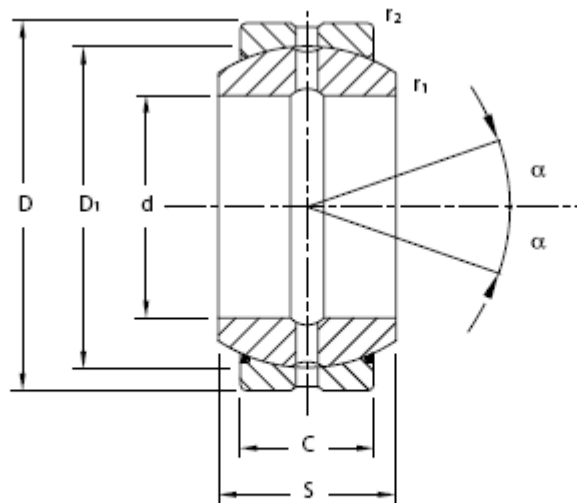


i nostri prodotti a magazzino

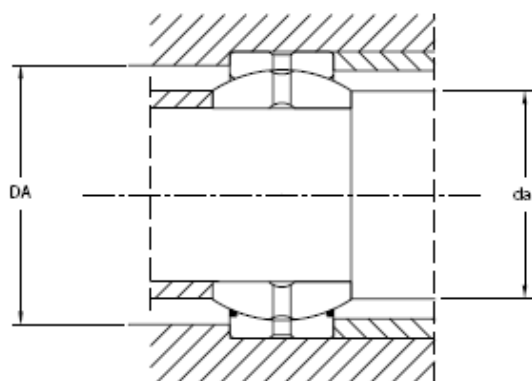
SNODI SFERICI RADIALI GE..ES – GE..ES 2RS



ACCOPIAMENTO: ACCIAIO SU ACCIAIO



SIGLA CUSCINETTO	d	D	s	c	TOLLERANZA					
					d	D	s	c	r1	r2
mm.										
GE10ES	10	19	9	6	0 ± -0.008	0 ± -0.009	0 ± -0.12	0 ± -0.24	0.3	0.3
GE12ES	12	22	10	7	0 ± -0.008	0 ± -0.009	0 ± -0.12	0 ± -0.24	0.3	0.3
GE15ES 2RS	15	26	12	9	0 ± -0.008	0 ± -0.009	0 ± -0.12	0 ± -0.24	0.3	0.3
GE16ES	16	30	14	10	0 ± -0.008	0 ± -0.009	0 ± -0.12	0 ± -0.24	0.3	0.3
GE17ES 2RS	17	30	14	10	0 ± -0.008	0 ± -0.009	0 ± -0.12	0 ± -0.24	0.3	0.3
GE20ES 2RS	20	35	16	12	0 ± -0.010	0 ± -0.011	0 ± -0.12	0 ± -0.24	0.6	0.3
GE25ES 2RS	25	42	20	16	0 ± -0.010	0 ± -0.011	0 ± -0.12	0 ± -0.24	0.6	0.6
GE30ES 2RS	30	47	22	18	0 ± -0.010	0 ± -0.011	0 ± -0.12	0 ± -0.24	0.6	0.6
GE35ES 2RS	35	55	25	20	0 ± -0.012	0 ± -0.013	0 ± -0.12	0 ± -0.30	0.6	1.0
GE40ES 2RS	40	62	28	22	0 ± -0.012	0 ± -0.013	0 ± -0.12	0 ± -0.30	0.6	1.0
GE45ES 2RS	45	68	32	25	0 ± -0.012	0 ± -0.013	0 ± -0.12	0 ± -0.30	0.6	1.0
GE50ES 2RS	50	75	35	28	0 ± -0.012	0 ± -0.013	0 ± -0.12	0 ± -0.30	0.6	1.0
GE60ES 2RS	60	90	44	36	0 ± -0.015	0 ± -0.015	0 ± -0.15	0 ± -0.40	1.0	1.0
GE70ES 2RS	70	105	49	40	0 ± -0.015	0 ± -0.015	0 ± -0.15	0 ± -0.40	1.0	1.0
GE80ES 2RS	80	120	55	45	0 ± -0.015	0 ± -0.015	0 ± -0.15	0 ± -0.40	1.0	1.0
GE90ES 2RS	90	130	60	50	0 ± -0.020	0 ± -0.018	0 ± -0.20	0 ± -0.50	1.0	1.0
GE100ES 2RS	100	150	70	55	0 ± -0.020	0 ± -0.018	0 ± -0.20	0 ± -0.50	1.0	1.0



d	D1	ANGOLO DI OSCILLAZIONE α°	FATTORI DI CARICO LIMITE		GIUOCO RADIALE	r1	r2	DIMENSIONI DI MONTAGGIO		PESO IN Kg.
			Dinamico C	Statico C0				da max.	DA min.	
mm.		α°	KN			mm.			Kg.	
5	10	16	3.4	17	0.032 - 0.068	0.3	0.3	8	9.5	0.004
6	10	13	3.4	17	0.032 - 0.068	0.3	0.3	8	9.6	0.006
8	13	15	5.5	27.5	0.032 - 0.068	0.3	0.3	10.2	12.5	0.008
10	16	12	8.15	40.5	0.032 - 0.068	0.3	0.3	13.2	15.5	0.01
12	18	11	10.8	54	0.032 - 0.068	0.3	0.3	14.9	17.5	0.01
15	22	8	17	85	0.040 - 0.082	0.3	0.3	18.4	21	0.02
16	25	10	21.2	106	0.040 - 0.082	0.3	0.3	20.7	24	0.03
17	25	10	21.2	106	0.040 - 0.082	0.3	0.3	20.7	24	0.04
20	29	9	30	146	0.040 - 0.082	0.6	0.3	24.1	27.5	0.06
25	35.5	7	48	240	0.050 - 0.100	0.6	0.6	29.3	33	0.11
30	40.7	6	62	310	0.050 - 0.100	0.6	0.6	34.2	38	0.14
35	47	6	80	400	0.050 - 0.100	0.6	1.0	39.7	44.5	0.22
40	53	7	100	500	0.060 - 0.120	0.6	1.0	45	51	0.30
45	60	7	127	640	0.060 - 0.120	0.6	1.0	50.7	57	0.40
50	66	6	156	780	0.060 - 0.120	0.6	1.0	55.9	63	0.54
60	80	6	245	1220	0.060 - 0.120	1.0	1.0	66.8	75	1.00
70	92	6	315	1560	0.072 - 0.142	1.0	1.0	77.8	87	1.50
80	105	6	400	2000	0.072 - 0.142	1.0	1.0	89.4	99	2.20
90	115	5	490	2450	0.072 - 0.142	1.0	1.0	98.1	108	2.70
100	130	7	610	3050	0.085 - 0.165	1.0	1.0	109.5	123	4.30
110	140	6	655	3250	0.085 - 0.165	1.0	1.0	121.2	134	4.70
120	160	6	950	4750	0.085 - 0.165	1.0	1.0	135.5	150	8.00
140	180	7	1080	5400	0.085 - 0.165	1.0	1.0	155.8	173	11.00
160	200	8	1370	6800	0.100 - 0.192	1.0	1.0	170.2	191	13.50
180	225	6	1530	7650	0.100 - 0.192	1.1	1.1	198.9	219	18.50
200	250	7	2120	10600	0.100 - 0.192	1.1	1.1	213.5	239	28.00
220	275	8	2320	11600	0.100 - 0.192	1.1	1.1	239.5	267	35.50
240	300	8	2550	12700	0.100 - 0.192	1.1	1.1	265.3	295	40.00
260	325	7	3050	15300	0.110 - 0.214	1.1	1.1	288.3	319	50.00
280	350	6	3550	18000	0.110 - 0.214	1.1	1.1	313.8	342	64.00
300	375	7	3800	19000	0.110 - 0.214	1.1	1.1	336.7	370	75.00